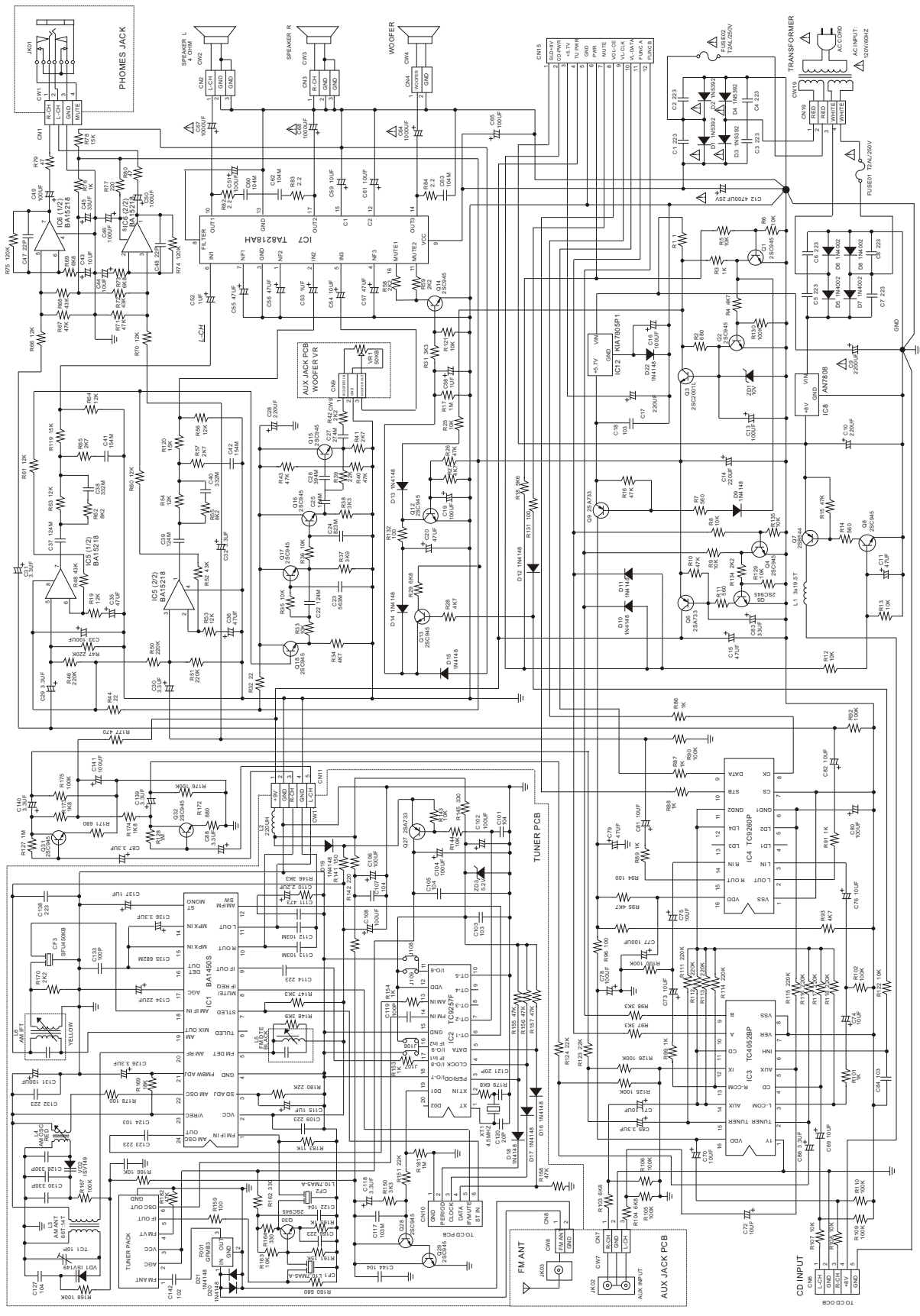


MAIN PCB

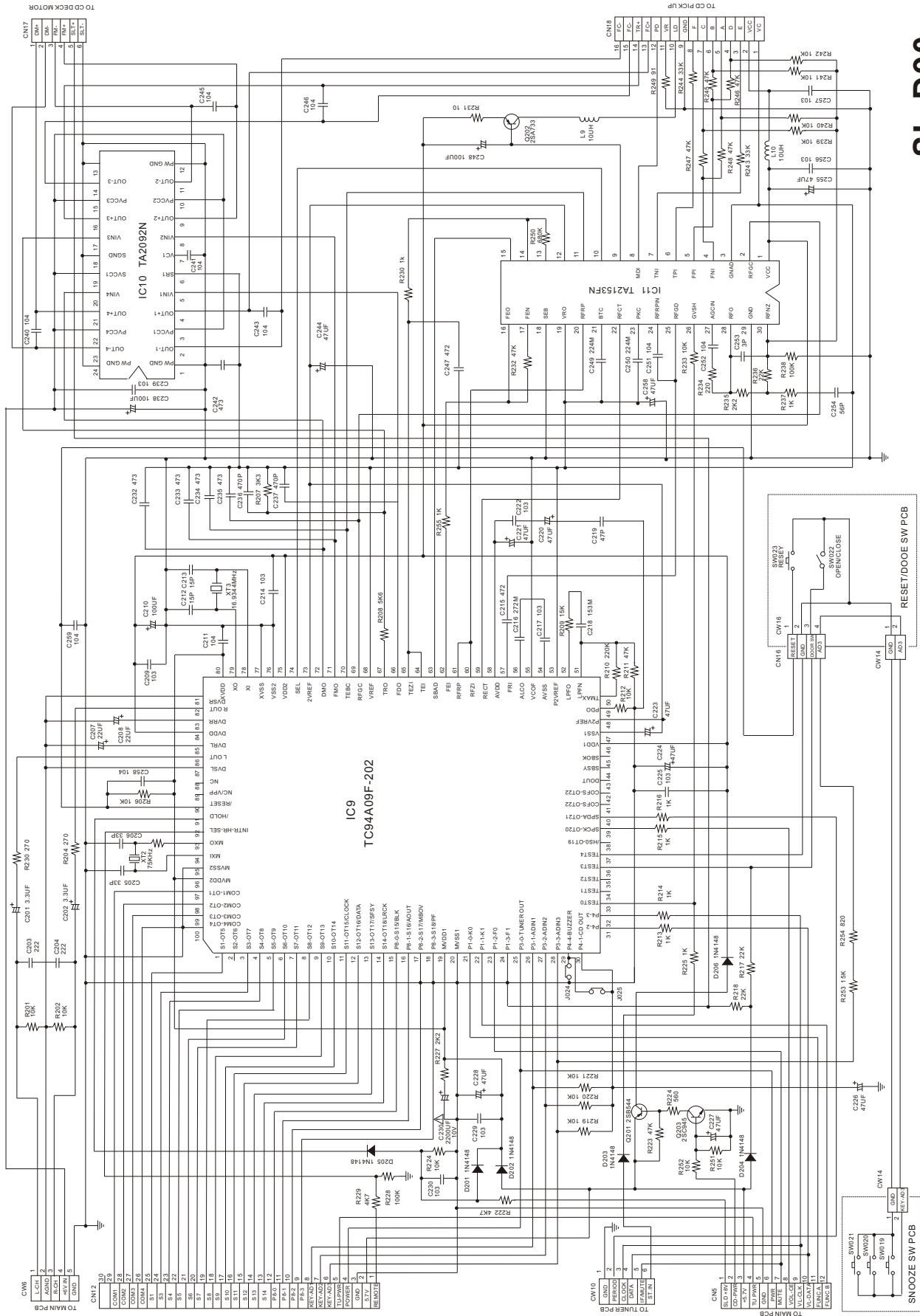


**SL-D90**  
AM/FM STEREO DIGITAL RADIO  
WITH CD PLAYER

# SL-D90

## AM/FM STEREO DIGITAL RADIO WITH CD PLAYER

CD PCB



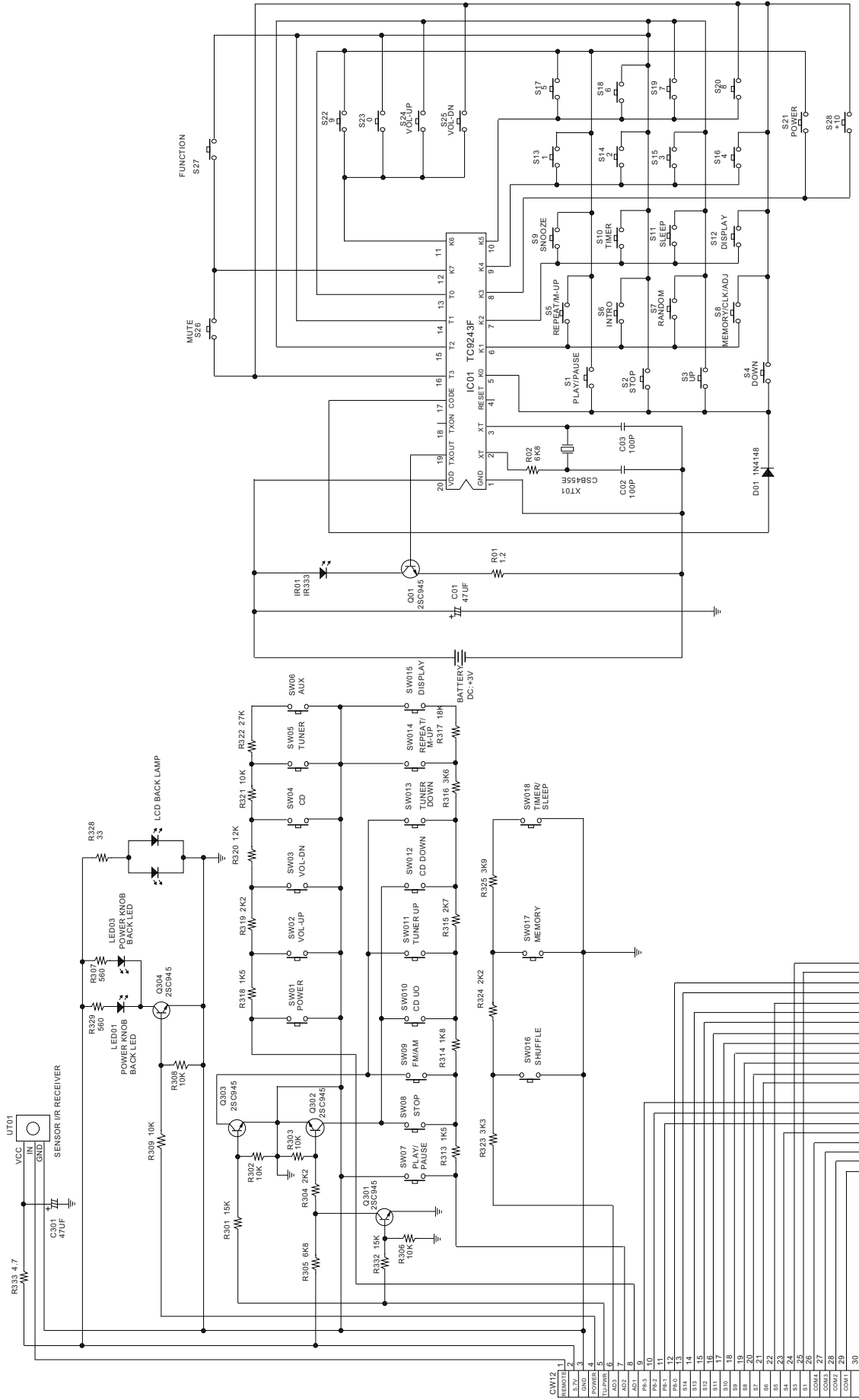
RESET/DOOR SW PCB

TO MAIN PCB

TO CD DECK MOTOR

TO CD PICK UP

# CD CONTROL PCB



# SL-D90

## AM/FM STEREO DIGITAL RADIO WITH CD PLAYER

